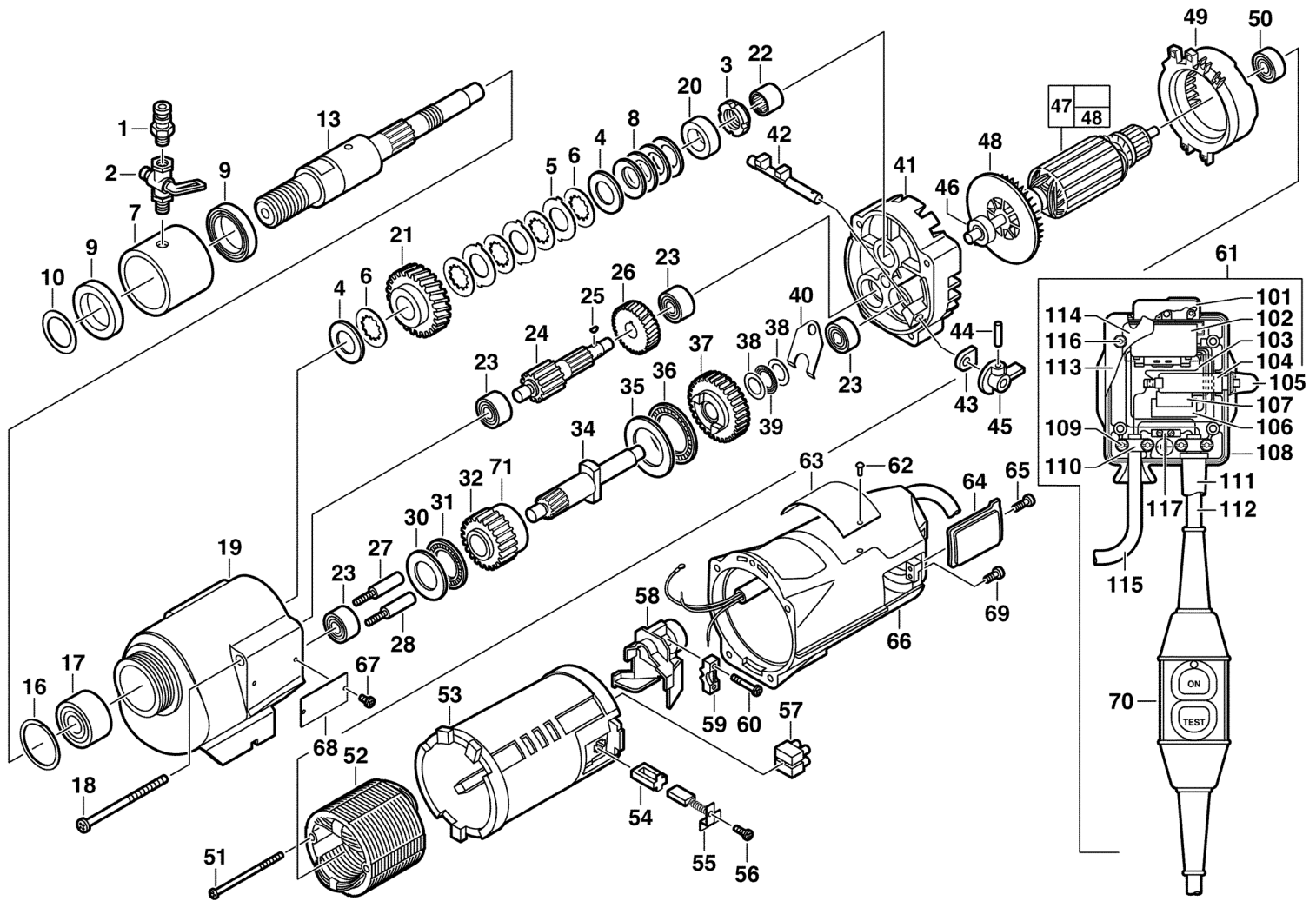


**[TRAD][fr] DCM2-350C**

**40044 - DCM2-350C - 4000384542**



Position	Quantity	Description	Part number	EAN
0001	1	FITTING	42900210	
0002	1	VALVE	45800060	
0003	1	NUT	06571050	
0004	2	WASHER	45881140	
0005	3	DISC	43060160	
0006	5	DISC	43060150	
0007	1	HOUSING	43760051	
0008	4	PRESSURE SPRING	40502150	
0009	2	SEAL RING	45060635	
0010	1	WASHER	45888565	4002395906673
0013	1	SPINDLE	38506020	
0016	1	RING	34803800	
0017	1	BALL BEARING	02202515	
0018	4	SCREW	06829202	4002395894390
0019	1	BODY	28141870	
0020	1	SPACER	45361520	
0021	1	SPINDLE GEAR	32753430	
0024	1	SHAFT	36663751	
0026	1	GEAR	32401581	
0027	2	PRESSURE SPRING	40506300	4002395841400
0028	2	PLUNGER	44700100	
0030	1	WASHER	45880520	
0032	1	GEAR	32100060	
0034	1	SHAFT	36140720	
0035	1	WASHER	45880530	
0037	1	GEAR BOX	32100051	
0038	2	WASHER	45880510	
0040	1	YOKE	45980090	
0041	1	BEARING END PLATE	14130210	
0042	1	SLIDING SWITCH	30150272	
0043	2	GASKET	43440580	
0045	1	TRIGGER	25600056	
0046	1	GROOVED BALL BEAR.	4931440556	4002395890767
0047	1	ARMATURE ASSEMBLY	16760325	
0048	1	FAN	22840790	
0049	1	AIR DEFLECTOR RING	42140291	
0050	1	BALL BEARING	02041041	4002395841462
0052	1	ELECTRIC FIELD	18740120	
0053	1	ISOLATION MODULE	23161410	
0054	2	BRUSH HOLDER	22200680	4002395841417
0055	2	CARBON BRUSH	22180706	4002395841424
0057	1	TERMINAL	22560470	
0058	1	CLAMP	22380140	
0059	1	CLAMPING PIECE	31170200	
0061	1	CONTROL DEVICE	23370160	
0063	1	NAME PLATE	12991815	
0064	2	BRUSH COVER	22320350	
0066	1	HOUSING	28506363	
0068	1	INSTRUCTION PLATE	12983020	
0070	1	CABLE HARNESS	22360090	

Position	Quantité	Désignation	Référence	EAN
0071	1	SPACER	45360225	
0101	1	SWITCH CUP SWITCH BOOT	22680200	
0102	1	SWITCH	23661430	
0103	1	CABLE SET LEAD ASSEMBLY	23949915	
0104	1	CABLE HARNESS	22360150	
0105	1	SWITCH CUP BREAKER BOOT	22680210	
0106	1	ITEM DISCONTINUED TO CANCEL	22330430	
0107	1	OVERVOLT. PROT.DEV.	22740051	4002395847747
0108	1	SWITCH CUP	22120200	
0110	2	CLAMPING PIECE	31170155	
0111	1	CABLE CLAMP	44760140	
0112	1	CABLE CORD SET	22644075	
0113	1	COVER COVER	22680190	
0115	1	CONNECTION CABLE	22645050	4002395774029
0117	1	CLAMP	22560480	