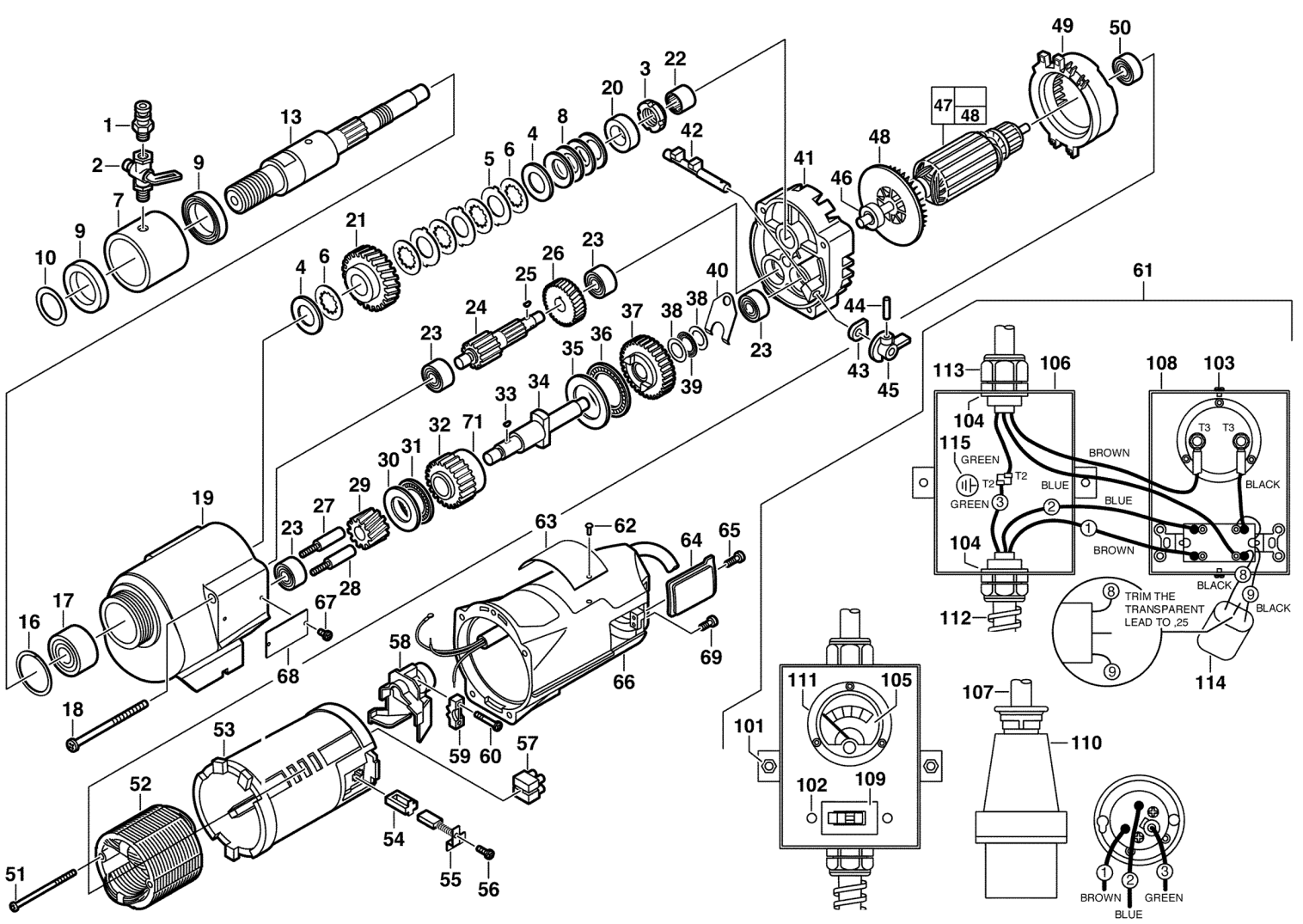


DIAMOND DRILL

409655 - DCM2-250C - 4000384849



Position	Quantity	Description	Part number	EAN
0001	1	FITTING	42900210	
0002	1	VALVE	45800060	
0003	1	NUT	06571050	
0004	2	WASHER	45881140	
0005	3	DISC	43060160	
0006	5	DISC	43060150	
0007	1	HOUSING	43760051	
0008	4	PRESSURE SPRING	40502150	
0009	2	SEAL RING	45060635	
0010	1	WASHER	45888565	4002395906673
0013	1	SPINDLE	38506020	
0016	1	RING	34803800	
0019	1	BODY	28141870	
0020	1	SPACER	45361520	
0021	1	SPINDLE GEAR	32753420	
0024	1	SHAFT	36663751	
0026	1	GEAR	32401581	
0027	2	PRESSURE SPRING	40506300	4002395841400
0028	2	PLUNGER	44700100	
0029	1	GEAR BOX	32601041	
0030	1	WASHER	45880520	
0032	1	GEAR	32100060	
0034	1	CLUTCH SHAFT	36140061	
0035	1	WASHER	45880530	
0037	1	GEAR BOX	32100051	
0038	2	WASHER	45880510	
0040	1	YOKE	45980090	
0041	1	BEARING END PLATE	14130210	
0042	1	SLIDING SWITCH	30150272	
0043	2	GASKET	43440580	
0045	1	TRIGGER	25600056	
0047	1	ARMATURE ASSEMBLY	16700320	
0048	1	FAN	22840790	
0049	1	AIR DEFLECTOR RING	42140291	
0052	1	ELECTRIC FIELD	18700290	
0053	1	ISOLATION MODULE	23161410	
0054	2	BRUSH HOLDER	22200680	4002395841417
0055	2	CARBON BRUSH	22180702	
0057	1	TERMINAL	22560470	
0058	1	CLAMP	22380140	
0059	1	CLAMPING PIECE	31170200	
0063	1	NAME PLATE	12992155	
0064	2	BRUSH COVER	22320350	
0066	1	HOUSING	28506363	
0068	1	INSTRUCTION PLATE	12983020	
0071	1	SPACER	45360225	
0105	1	AMMETER	22040030	
0106	1	BOX	22120185	
0107	1	CONNECTION CABLE	22640195	
0108	1	COVER	22680175	

Position	Quantité	Désignation	Référence	EAN
0109	1	SWITCH	23663030	
0110	1	PLUG	23363200	
0111	1	COVER	31012030	
0112	1	PROTECTION SLEEVE	44760185	
0113	1	PROTECTION SLEEVE	44760385	
0114	1	SUPPRESSOR	22330030	
0115	1	LABEL	10983030	